

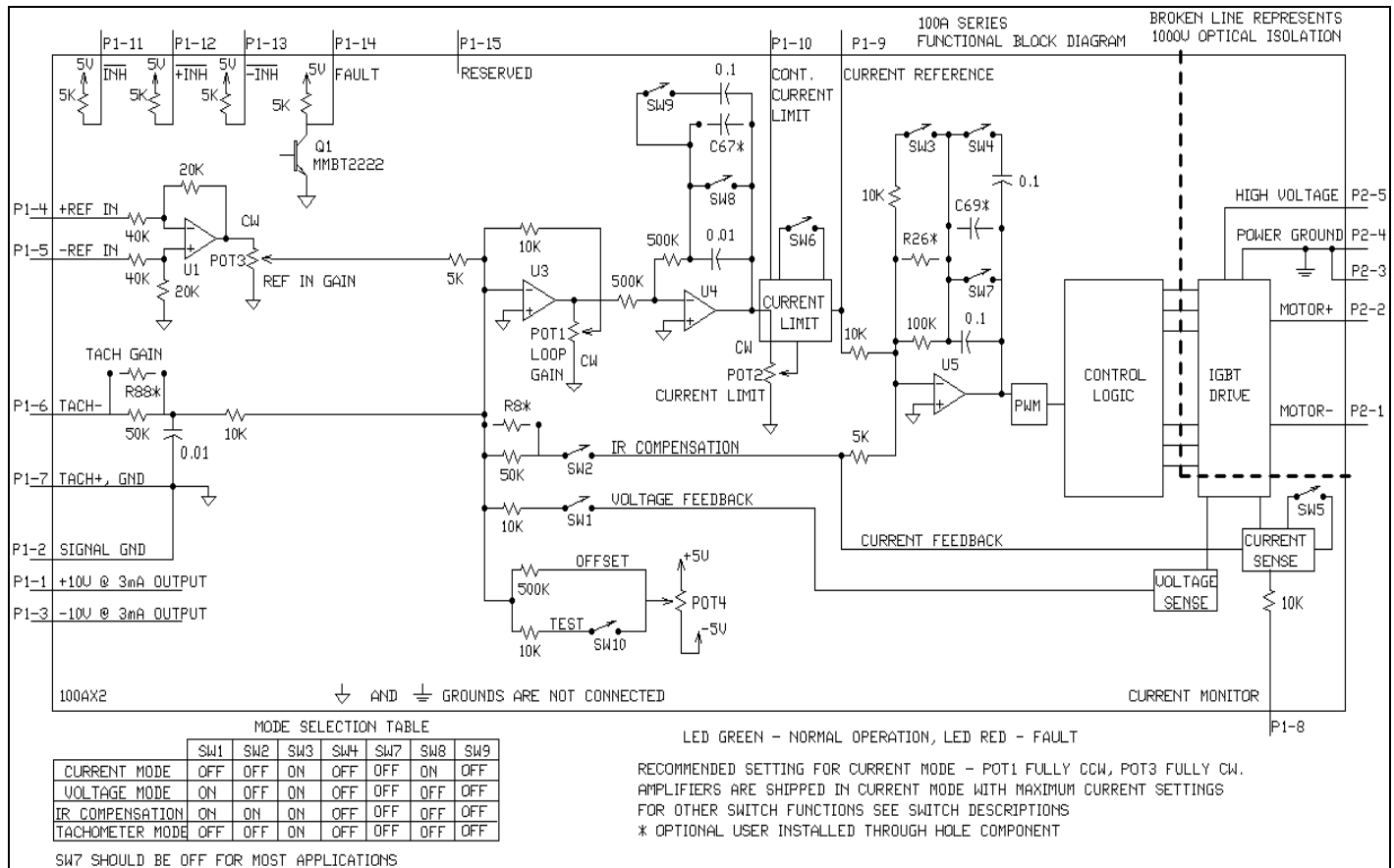
SERIES 100A SERVO AMPLIFIERS MODELS: 100A25, 100A40

FEATURES:

- Surface-mount technology
- Small size, low cost, ease of use
- Optical isolation, see block diagram
- DIP switch selectable: current, voltage, velocity, IR compensation, analog position loop
- Four quadrant regenerative operation
- Agency Approval:



BLOCK DIAGRAM:



DESCRIPTION: The 100A Series PWM servo amplifiers are designed to drive brush type DC motors at a high switching frequency. A single red/green LED indicates operating status. All models are fully protected against over-voltage, under voltage, over-current, over-heating and short-circuits across motor, ground and power leads. All models interface with digital controllers or can be used as a stand-alone drive. They require only a single unregulated DC power supply. Loop gain, current limit, input gain and offset can be adjusted using 14-turn potentiometers. The offset adjusting potentiometer can also be used as an on-board input signal for testing purposes when SW10 (DIP switch) is ON.

SPECIFICATIONS:

POWER STAGE SPECIFICATIONS	MODELS	
	100A25	100A40
DC SUPPLY VOLTAGE	60 - 250 V	60 - 400 V
PEAK CURRENT (2 sec. max., internally limited)	± 100 A	± 100 A
MAXIMUM CONTINUOUS CURRENT (internally limited)	± 50 A	± 50 A
MINIMUM LOAD INDUCTANCE*	300 µH	600 µH
SWITCHING FREQUENCY	14.5 kHz ± 15%	
HEATSINK (BASE) TEMPERATURE RANGE	0 °C to +65 °C; disables if > 65 °C	
POWER DISSIPATION AT CONTINUOUS CURRENT	625 W	1000 W
OVER-VOLTAGE SHUT-DOWN (self-reset)	260 V	420 V
BANDWIDTH (load dependent)	2.5 kHz	

MECHANICAL SPECIFICATIONS	
POWER CONNECTOR: P2	Screw terminals
SIGNAL CONNECTOR: P1	P1 is a 15 pin female low density D-sub connector
SIZE	9.25 x 7.21 x 3.64 inches 235.0 x 183.2 x 92.4 mm
WEIGHT	7.5 lb. 3.41 kg

* Low inductance motors ("pancake" and "basket-wound") require external inductors.

PIN FUNCTIONS:

CONNECTOR	PIN	NAME	DESCRIPTION / NOTES	I/O
P1	1	+10 V OUT	Provides regulated voltages of ± 10 V @ 3 mA for customer use. Short circuit protected. P1-2 is the signal ground.	O
	2	SIGNAL GND		SGND
	3	-10 V OUT		O
	4	+REF IN	Differential analog input, maximum ± 15 V, 40K input resistance.	I
	5	-REF IN		
	6	-TACH IN	Maximum ± 60 VDC, 60K input resistance	I
	7	+TACH (SGND)		
	8	CURRENT MONITOR OUT	This signal is proportional to the actual current in the motor leads. Scaling is 1 V = 16 A when SW5=ON (full current) and 1 V = 8 A when SW5=OFF.	O
	9	CURRENT REFERENCE OUT	Command signal to the internal current-loop. The maximum peak current rating of the amplifier equals 7.25 V at this pin. See current limit adjustment information below.	O
	10	CONTINUOUS CURRENT LIMIT	Can be used to reduce the factory-preset maximum continuous current limit.	I
	11	INHIBIT	This TTL level input signal turns off all four power devices of the "H" bridge drive when pulled to ground. This inhibit will cause a FAULT condition and a red LED. For inverted inhibit inputs; see section "G".	I
	12	+INHIBIT	Disables the amplifier for the "+" direction only. This inhibit will not cause a FAULT condition or a red LED.	I
	13	-INHIBIT	Disables the amplifier for the "-" direction only. This inhibit will not cause a FAULT condition or a red LED.	I
	14	FAULT OUT (red LED)	TTL compatible output. It becomes high during output short-circuit, over-voltage, under voltage, over-heating, inhibit, and during "power-on reset". Fault condition indicated by a red LED.	O
	15	Reserved		
P2	1	-MOTOR	Motor minus connection.	O
	2	+MOTOR	Motor plus connection.	O
	3	POWER GROUND	Power Ground.	PGND
	4	POWER GROUND	Power Ground.	PGND
	5	HIGH VOLTAGE	DC voltage input.	I

SWITCH FUNCTIONS:

SWITCH	FUNCTION DESCRIPTION	SETTING	
		ON	OFF
1	Internal voltage feedback	On	Off
2	Internal current feedback for IR compensation	On	Off
3	Current loop gain	Decrease	Increase
4	Current loop integration	Increase	Decrease
5	Current scaling. When OFF, increases sensitivity of current sense thus reducing both peak and continuous current limit by 50% (see section "G").	Full-current	Half-current
6	Can be used to reduce factory-preset maximum continuous current limit (see section "G").	Cont./Peak Ratio 25%	Cont./Peak Ratio 50%
7	It is recommended to leave SW7 in the OFF position.	Shorts out the current loop integrator capacitor	Current loop integrator operating
8	This capacitor normally ensures "error-free" operation by reducing the error-signal (output of summing amplifier) to zero.	Shorts out the outer velocity / voltage loop integrator capacitor	Velocity/ Voltage integrator operating
9	Increases the value of the integrator capacitor. It is recommended to leave SW9 in the OFF position for most applications.	Increase	Decrease
10	Offset / test. Sensitivity of the "offset" pot. Used as an on-board reference signal in test mode.	Test	Offset

POTENTIOMETER FUNCTIONS:

POTENTIOMETER	DESCRIPTION	TURNING CW
Pot 1	Loop gain adjustment in voltage & velocity modes. Turn this pot fully ccw in current mode.	Increases loop gain
Pot 2	Current limit. It adjusts both continuous and peak current limit by maintaining their ratio (50%).	Increases current limit
Pot 3	Reference gain. It adjusts the ratio between input signal and output variables (voltage, current, and velocity).	Increases reference input gain
Pot 4	Offset / test. Used to adjust any imbalance in the input signal or in the amplifier. When SW10 (DIP switch) is ON, the sensitivity of this pot is greatly increased thus it can be used as an on-board signal source for testing purposes. See section "G".	N/A

TEST POINTS FOR POTENTIOMETERS: See section "G".

SET-UP: See section "G" for engineering and installation notes.

OPERATING MODE SELECTION:

These modes can be selected by the DIP switches according to the chart in the functional block diagram:

- Current Mode
- Voltage Mode
- IR Compensation Mode
- Tachometer Mode

See section "G" for more information.

APPLICATION NOTE:

See section "G" for more information on analog position loop mode.

CURRENT LIMIT ADJUSTMENTS:

These amplifiers feature separate peak and continuous current limit adjustments.

The current limit adjusting Pot 2 adjusts both peak and continuous current limit at the same time. It has 12 active turns plus 1 inactive turn at each end and is approximately linear. Thus, to adjust the current limit, turn the potentiometer fully counter-clockwise, then turn clockwise to the appropriate value. If the desired limit is, for example, 50 amperes, and the servo amplifier peak current is 100 amperes, turn the potentiometer 7 turns clockwise from the fully counter-clockwise position.

Pin P1-9 is the input to the internal current amplifier stage. Since the output current is proportional to P1-9, the adjusted current limit can easily be observed at this pin. Note that a command signal must be applied to the reference inputs to obtain a reading on P1-9. The maximum peak current value equals 7.25 V at this pin and the maximum continuous current value equals 3.63 V at this pin. If SW5=ON, peak rated amplifier current=7.25 V. If SW5=OFF, 1/2 peak rated amplifier current =7.25 V. Example: using the 100A25 with SW5=ON, 100A=7.25 V and with SW5=OFF, 50A=7.25 V.

The actual current can be monitored at pin P1-8.

The continuous current limit can be reduced without affecting the peak current limit by connecting an external current limiting resistor R-lmt between P1-10 and P1-2. See table below.

CURRENT LIMITING RESISTOR	40K	20K	3K	1K	0K
CONTINUOUS CURRENT LIMIT	90%	80%	50%	30%	10%

SW6 (DIP switch) will reduce the continuous current limit to 50% of the maximum value, when switched ON. SW5 (DIP switch) will reduce the current feedback (monitor) scaling by 50%, thereby reducing both the peak and the continuous current limit by 50%, when switched OFF.

TYPICAL SYSTEM WIRING: See section "G".

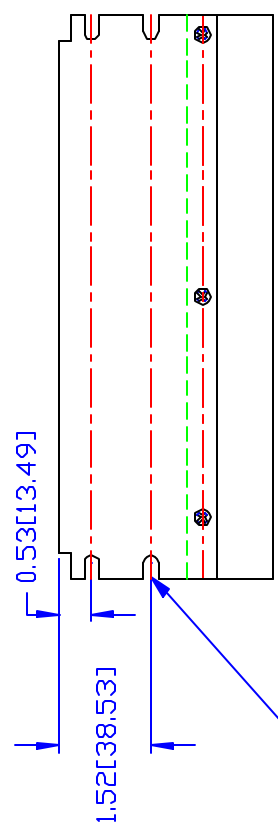
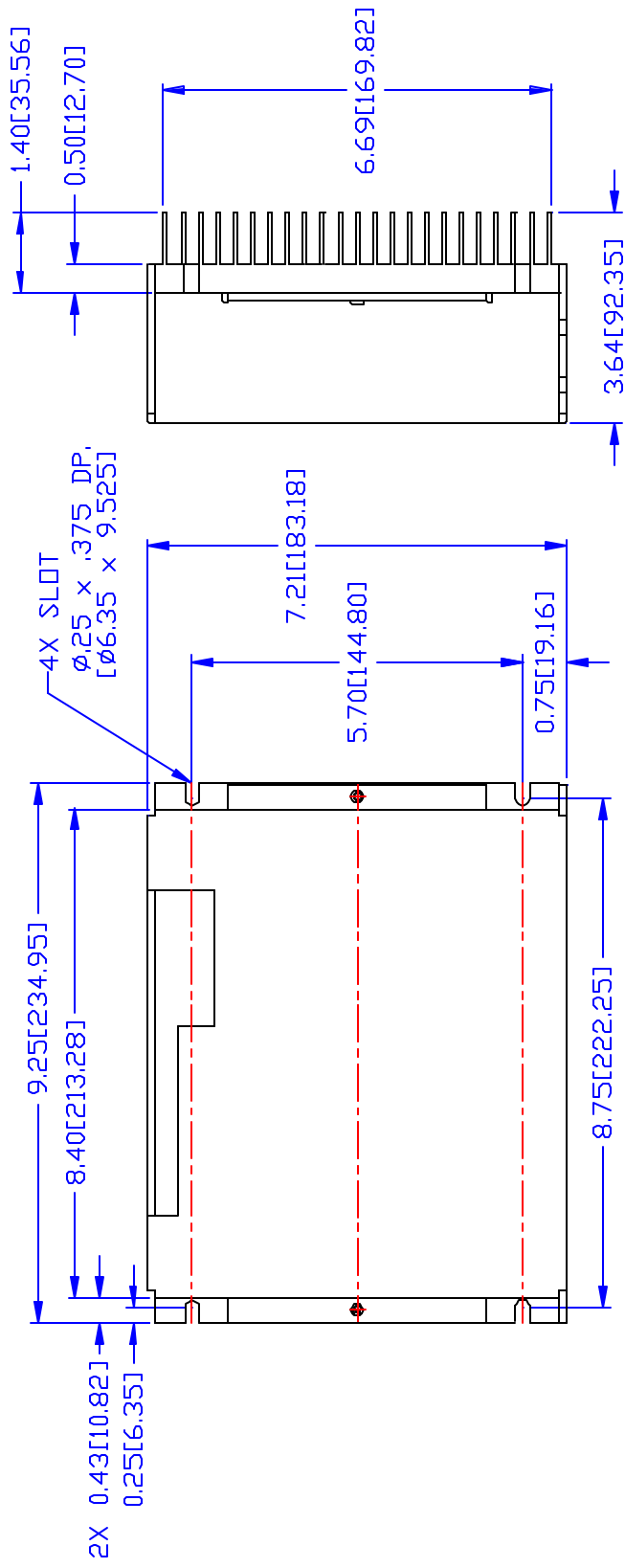
100A Series

ORDERING INFORMATION:

Models: 100A25X, 100A40X

X indicates the current revision letter.

MOUNTING DIMENSIONS: See page F-19.



BACKSIDE VIEW

NOTE: DIMENSIONS IN [] ARE IN MM.

B	CHANGE ADDRESS ON TITLE BLOCK	02/13/02	RB
A	ADD DIMS 140, 50, 667	01/29/98	RB
REV	DESCRIPTION	DATE	BY
<p>ADVANCED MOOTION CONTROLS • PWM SERVO AMPLIFIERS • 3805 Calle Tacote, Canarito, CA 95012</p>			
TITLE MOUNTING DIMENSIONS, 100A SERIES			
SIZE	DWG. NO.	REV	
C	MD100A	B	
SCALE:	FULL		SHT. 1 OF 1

UNLESS OTHERWISE SPECIFIED DIMENSIONS ARE IN INCHES	
TOLERANCES	
.XX ± .010	
.XXX ± .005	
DO NOT SCALE DRAWING	
DRAWN BY:	DATE:
R. BAUTISTA	09/08/95
CHECK BY:	DATE:
DESIGN APPROVED:	DATE:
100A SERIES	USED IN