

DIGIFLEX® DIGITAL SERVO DRIVES

MODEL: DQ111EE15A40LDC

WITH **SynqNet™** INTERFACE

FEATURES:

- Fully digital, state-of-the-art design
- Space Vector Modulation and vector control technology
- 20kHz Digital current loop with programmable gain settings
- Hall sensor + encoder or encoder-only based sinusoidal commutation
- Surface-mount technology
- Small size, low cost, ease of use

- SynqNet™ motion control network interface
- Windows95/98/2000/ME/NT© based setup software for setup via SynqNet™ interface
- Operates in torque mode with programmable gain settings and current limiting

- 2 programmable isolated digital inputs
- 2 programmable isolated digital outputs
- Dedicated Brake and Node Alarm outputs
- 14-bit reference input or programmable analog input
- 2 high-speed differential inputs (high-speed capture, secondary encoder)
- 2 high-speed differential outputs (step&dir, divide-by-N)
- Dedicated, isolated node disable, positive and negative limits, and home inputs

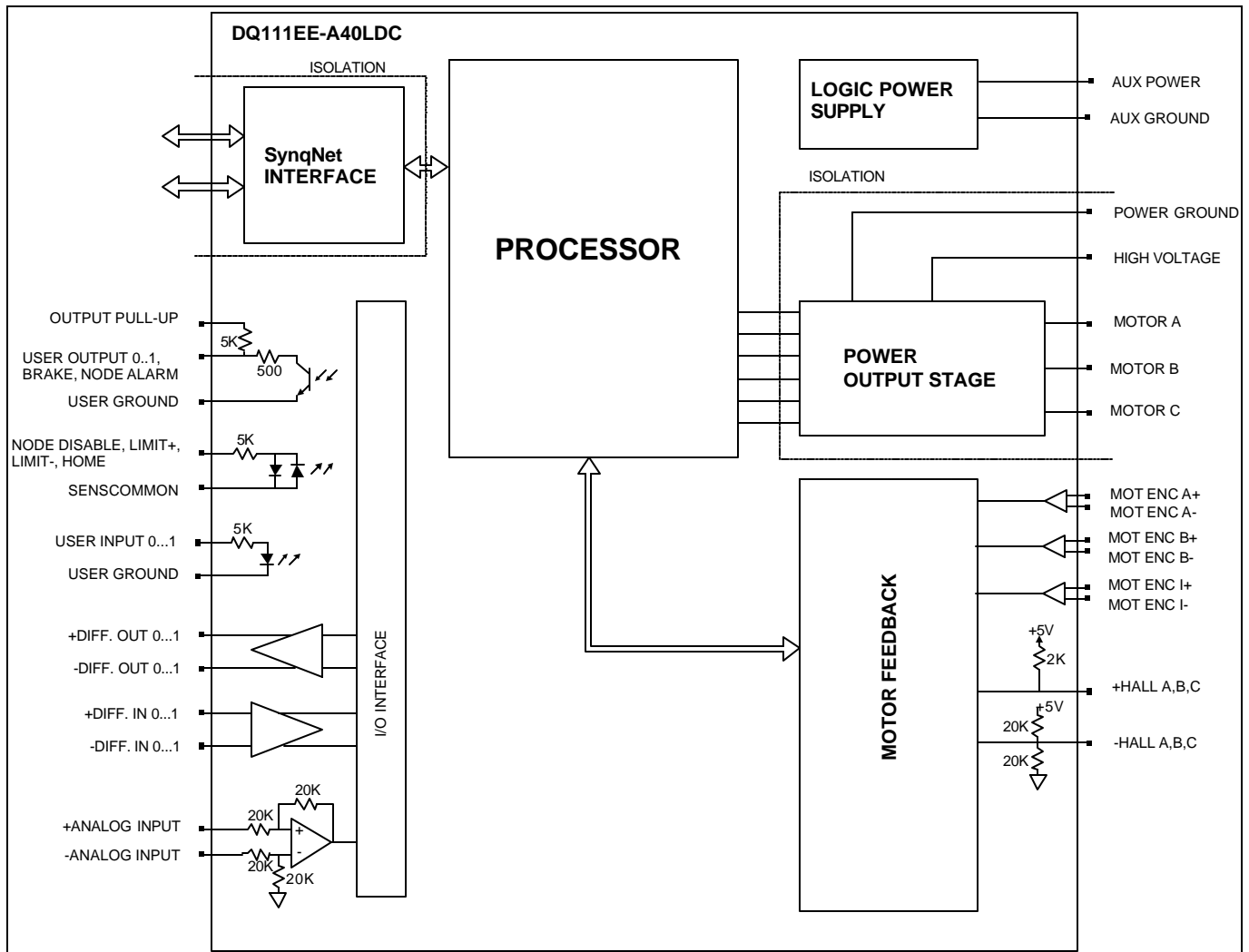
- Separate logic supply
- Four quadrant regenerative operation
- Bi-color LED status indicator
- Extensive built-in protection against:
 - over-voltage (programmable)
 - under-voltage (programmable)
 - short-circuit: phase-phase, phase-ground
 - over-current
 - over-temperature



ADVANCED MOTION CONTROLS

3805 Calle Tecate, Camarillo, CA 93012
 Tel: (805) 389-1935, Fax: (805) 389-1165
<http://www.a-m-c.com>

BLOCK DIAGRAM:



DESCRIPTION:

The DQ111EE Series digital PWM servo drives are designed to drive brushed and brushless servomotors. These fully digital drives operate in torque mode and employ Space Vector Modulation (SVM), which results in higher bus voltage utilization and reduced heat dissipation. The command source can be generated internally or can be supplied externally. In addition to motor control, these drives feature dedicated and programmable digital and analog inputs and outputs to enhance interfacing with external controllers and devices.

DQ111EE Series drives feature a SynqNet™ interface for high-speed digital command operation in networked applications. Drive commissioning can be accomplished through a fully graphical Windows© based application via the SynqNet interface™.

More information about SynqNet™ can be obtained at <http://www.synqnet.org>.

All drive and motor parameters are stored in non-volatile memory.

SPECIFICATIONS:

POWER STAGE SPECIFICATIONS	DQ111EE15A40LDC
DC SUPPLY VOLTAGE	60...400 VDC
PEAK CURRENT	15A (10.6Arms)
MAXIMUM CONTINUOUS CURRENT	7.5A (5.3Arms)
MINIMUM LOAD INDUCTANCE	600 μ H
SWITCHING FREQUENCY	20 kHz
HEATSINK (BASEPLATE) TEMPERATURE RANGE	0 to 65 °C, disables at 65 °C
POWER DISSIPATION AT CONTINUOUS CURRENT	150W
MIN. UNDER VOLTAGE SHUTDOWN	60 VDC
MAX. OVER-VOLTAGE SHUTDOWN	425 VDC
LOGIC SUPPLY VOLTAGE	20...30 VDC

MECHANICAL SPECIFICATIONS	
MOTOR CONNECTOR: P1	3-pin; 7.62mm pitch removable with screw flange
POWER CONNECTOR: P2	2-pin; 7.62mm pitch removable with screw flange
LOGIC SUPPLY CONNECTOR: P3	2-pin; 5.08mm pitch removable with screw flange
MOTOR FEEDBACK CONNECTOR: CN4*	15-pin high density female D-sub
I/O CONNECTOR: CN3*	26-pin high density female D-sub
SYNQNET™ CONNECTOR: CN1, CN2*	8-pin RJ45
SIZE	6.99 x 5.50 x 1.52 inches 169.6 x 139.7 x 38.4 mm
WEIGHT	

* Mating connectors are not included.

PIN FUNCTIONS:

P1 - Motor Connector:

CONNECTOR	PIN	NAME	DESCRIPTION	I/O
P1	1	MA	Motor phase A	O
	2	MB	Motor phase B	O
	3	MC	Motor phase C	O

P2 – Power Connector:

CONNECTOR	PIN	NAME	DESCRIPTION	I/O
P2	1	PGND	Power ground	PGND
	2	HV IN	DC motor supply	HV IN

P3 – Logic Supply Connector:

CONNECTOR	PIN	NAME	DESCRIPTION	I/O
P3	1	RTN AUX	Logic supply ground	GND
	2	PWR AUX	Logic supply power	I

CN4 - Motor Feedback Connector:

CONNECTOR	PIN	NAME	DESCRIPTION	I/O
CN4	1	+Hall A	Commutation sensor inputs. Internal 2K pull-up to +5VDC. Can be used with single ended or differential Hall sensors.	I
	2	+Hall B		I
	3	+Hall C		I
	4	MOT ENC A+	Differential Encoder Input. For single ended encoder signals, leave the A-terminal open.	I
	5	MOT ENC A-		I
	6	MOT ENC B+	Differential Encoder Input. For single ended encoder signals, leave the B-terminal open.	I
	7	MOT ENC B-		I
	8	MOT ENC I+	Differential Encoder Input. For single ended encoder signals, leave the I-terminal open.	I
	9	MOT ENC I-		I
	10	-Hall A*	See CN4-1. Leave open in case of single ended Hall sensors.	I
	11	-Hall B*	See CN4-2. Leave open in case of single ended Hall sensors.	I
	12	SGND	Signal ground	SGND
	13	+5V OUT	+5V @ 250mA max. Short-circuit protected.	O
	14	Reserved		
	15	-Hall C*	See CN4-3. Leave open in case of single ended Hall sensors.	I

CN3 – I/O Connector:

CONNECTOR	PIN	NAME	DESCRIPTION	I/O
CN3	1	USER OUTPUT 0	Programmable digital output. Isolated, 24VDC, referenced to USER GND	O
	2	USER OUTPUT 1	Programmable digital output. Isolated, 24VDC, referenced to USER GND	O
	3	USER GND	Ground reference for user outputs and inputs.	GND
	4	NODE ALARM	SynqNet network error. Isolated, 24VDC, referenced to USER GND	O
	5	BRAKE	Brake output, controlled directly via SynqNet. Isolated, 24VDC, referenced to USER GND	O
	6	AGND	Analog ground	AGND
	7	+ DIFF. INPUT 0	Differential input. 5V TTL., non-isolated. Programmable function: capture	I
	8	- DIFF. INPUT 0		I
	9	OUTPUT PULL-UP	5K Pull-up for user outputs.	I
	10	NODE DISABLE	Node disable input. Isolated, 24VDC range. Referenced to sensor common (SENSCOMMON).	I
	11	LIMIT +	Positive limit input. Isolated, 24VDC range. Referenced to sensor common (SENSCOMMON).	I
	12	LIMIT -	Negative limit input. Isolated, 24VDC range. Referenced to sensor common (SENSCOMMON).	I
	13	HOME	Home switch input. Isolated, 24VDC range. Referenced to sensor common (SENSCOMMON).	I
	14	USER INPUT 0	Programmable digital input. Isolated, 24VDC, referenced to USER GND	I
	15	USER INPUT 1	Programmable digital input. Isolated, 24VDC, referenced to USER GND	I
	16	SENSCOMMON	Sensor common. Used with E-stop, limit +, limit -, and home inputs. Can be used as a ground reference or as a pull-up for these inputs.	COMMON
	17	+ DIFF. INPUT 1	Differential input. 5V TTL., non-isolated. Programmable function: capture	I
	18	- DIFF. INPUT 1		I
	19	SGND	Digital ground	SGND
	20	+ DIFF. OUTPUT 0	Differential output. 5V TTL., non-isolated. Programmable function: step&dir, divide-by-N	O
	21	- DIFF. OUTPUT 0		O
	22	+ DIFF. OUTPUT 1	Differential output. 5V TTL., non-isolated. Programmable function: step&dir, divide-by-N	O
	23	- DIFF. OUTPUT 1		O
	24	+ANALOG IN	Programmable, differential analog input, +/- 10V range, 14-bit.	I
	25	-ANALOG IN		I
	26	AGND	Analog ground.	AGND

CN1 – SYNQNET™ INTERFACE:

CONNECTOR	PIN	NAME	DESCRIPTION	I/O
CN1	1	RD+	100BaseT receiver	I
	2	RD-		I
	3	TD+	100BaseT transmitter	O
	6	TD-		O
	4, 5, 7, 8	N/C	Not connected	

CN2 – SYNQNET™ INTERFACE:

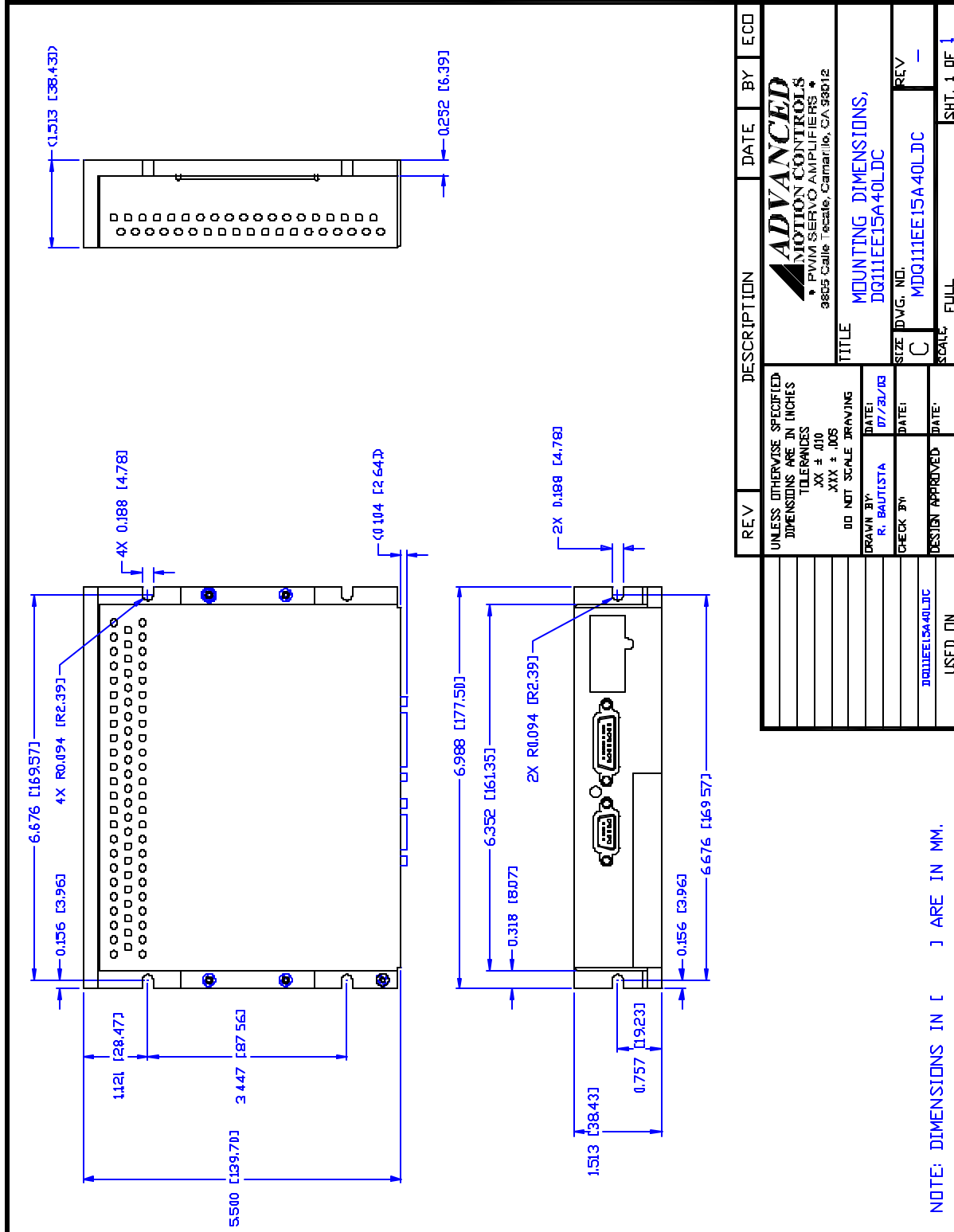
CONNECTOR	PIN	NAME	DESCRIPTION	I/O
CN2	1	TD+	100BaseT transmitter	O
	2	TD-		O
	3	RD+	100BaseT receiver	I
	6	RD-		I
	4, 5, 7, 8	N/C	Not connected	

ORDERING INFORMATION:

Standard model: DQ111EE15A40LDCX

X indicates the current revision letter.

MOUNTING DIMENSIONS:



REV	DESCRIPTION	DATE	BY	ECD
	UNLESS OTHERWISE SPECIFIED DIMENSIONS ARE IN INCHES TOLERANCES .XX ± .010 .XXX ± .005 DO NOT SCALE DRAWING			
	ADVANCED MOTION CONTROLS PWM SERVO AMPLIFIERS 3805 Calle Tecate, Camarillo, CA 93012			
	TITLE	MOUNTING DIMENSIONS, DQ111EE15A40LDC		
	DRAWN BY	DATE	SIZE	REV
	R. BAUTISTA	07/20/03	C	—
	CHECK BY	DATE	SCALE	
	DESIGN APPROVED	DATE	FULL	SHT. 1 OF 1
	DQ111EE15A40LDC USED IN			