

DIGIFLEX® DIGITAL SERVO DRIVES

MODEL: DQ111SE20A8BDC-H

WITH **SynqNet™** INTERFACE

FEATURES:

- Fully digital, state-of-the-art design
- Space Vector Modulation and vector control technology
- 20kHz Digital current loop with programmable gain settings
- Sine/cosine encoder (1Vpp) interface
- Up to 11-bit sine/cosine interpolation (x2048) provides high resolution position feedback (contact factory for higher resolution)
- Hall sensor + encoder or encoder only sinusoidal commutation
- Surface-mount technology
- Small size, low cost, ease of use

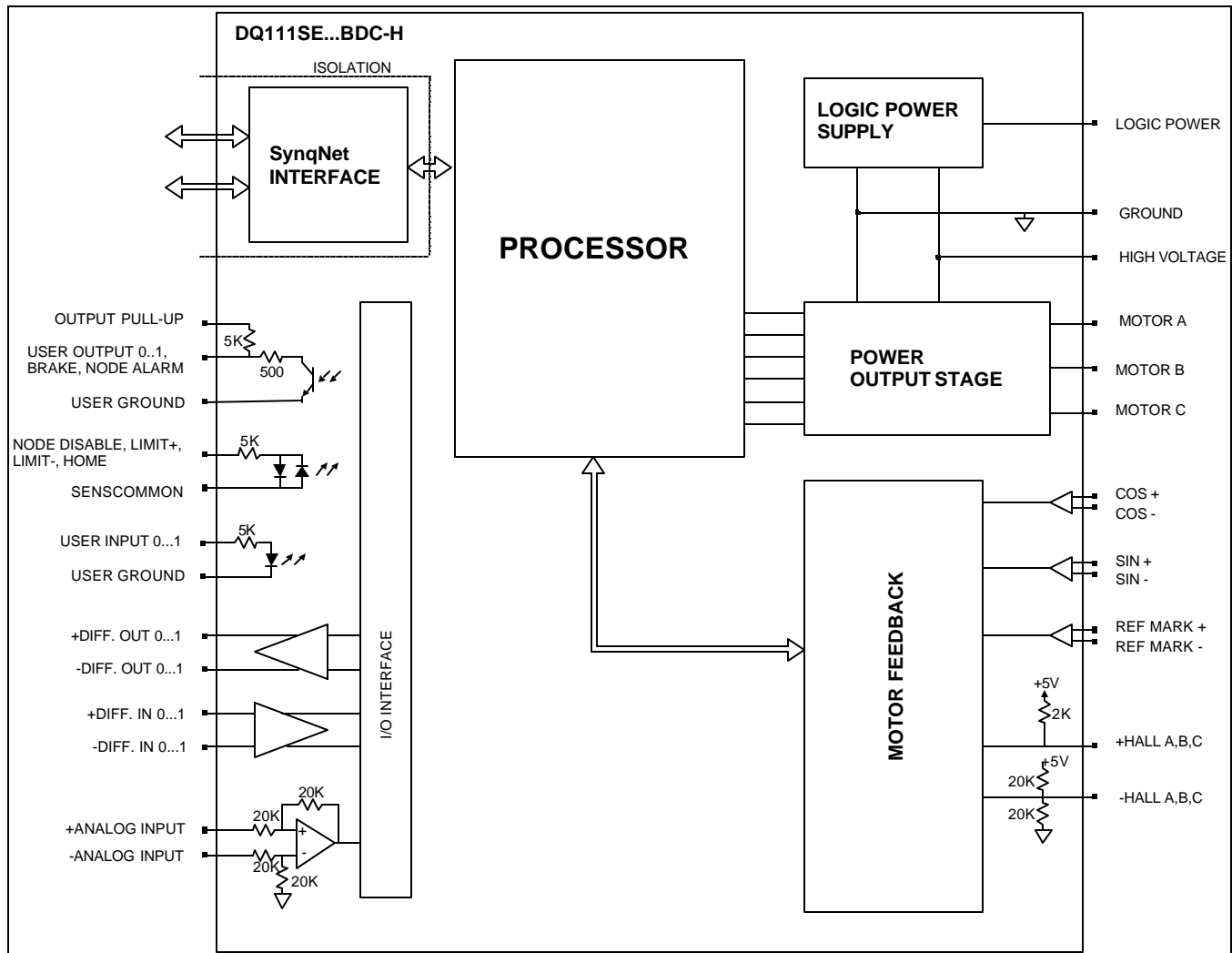
- SynqNet™ motion control network interface
- Windows95/98/2000/ME/NT© based setup software for setup via SynqNet™ interface
- Operates in torque mode with programmable gain settings and current limiting

- 2 programmable isolated digital inputs
- 2 programmable isolated digital outputs
- Dedicated Brake and Node Alarm outputs
- 14-bit reference input or programmable analog input
- 2 high-speed differential inputs (high-speed capture)
- 2 high-speed differential outputs (step&dir, divide-by-N)
- Dedicated, isolated node disable, positive and negative limits, and home inputs

- Separate logic back-up supply input
- Four quadrant regenerative operation
- Bi-color LED status indicator
- Extensive built-in protection against:
 - over-voltage (programmable)
 - under-voltage (programmable)
 - short-circuit: phase-phase, phase-ground
 - over-current
 - over-temperature



BLOCK DIAGRAM:



DESCRIPTION:

The DQ111SE Series digital PWM servo drives are designed to drive brushed and brushless servomotors. These fully digital drives operate in torque mode and employ Space Vector Modulation (SVM), which results in higher bus voltage utilization and reduced heat dissipation. The command source can be generated internally or can be supplied externally. In addition to motor control, these drives feature dedicated and programmable digital and analog inputs and outputs to enhance interfacing with external controllers and devices.

DQ111SE Series drives feature a SynqNet™ interface for high-speed digital command operation in networked applications. Drive commissioning can be accomplished through a fully graphical Windows® based application via the SynqNet interface™.

More information about SynqNet™ can be obtained at <http://www.synqnet.org>.

All drive and motor parameters are stored in non-volatile memory.

SPECIFICATIONS:

POWER STAGE SPECIFICATIONS	DQ111SE20A8BDC-H
DC SUPPLY VOLTAGE	20...80 VDC
PEAK CURRENT	20A (14.2Arms)
MAXIMUM CONTINUOUS CURRENT	10A (7.1Arms)
MINIMUM LOAD INDUCTANCE	250 μ H
SWITCHING FREQUENCY	20 kHz
HEATSINK (BASEPLATE) TEMPERATURE RANGE	0 to 65 °C, disables at 65 °C
POWER DISSIPATION AT CONTINUOUS CURRENT	50W
MIN. UNDER VOLTAGE SHUTDOWN	20 VDC
MAX. OVER-VOLTAGE SHUTDOWN	86 VDC
LOGIC SUPPLY VOLTAGE (backup supply)	20...80 VDC, 20W maximum

MECHANICAL SPECIFICATIONS	
POWER CONNECTOR: P1	Removable
MOTOR FEEDBACK CONNECTOR: CN4*	15-pin high density female D-sub
I/O CONNECTOR: CN3*	26-pin high density female D-sub
SYNQNET™ CONNECTOR: CN1, CN2*	8-pin RJ45
SIZE	5.22 x 3.52 x 1.42 inches 132.5 x 89.5 x 35.9 mm
WEIGHT	

* Mating connectors are not included.

PIN FUNCTIONS:

P1 - Motor and Power Connector:

CAUTION: the pin numbering of the mating connector is different from the numbering of the drive connector. In the table below, the second column corresponds to the drive pin numbering (silkscreen). The second to last column corresponds to the mating connector pin numbering.

DRIVE CONN.	PIN	NAME	DESCRIPTION	I/O	PIN	MATING CONN.
P1	1	MA	Motor phase A	O	6	
	2	MB	Motor phase B	O	5	
	3	MC	Motor phase C	O	4	
	4	HV IN	DC motor and power input. This input is used to supply power to the motor and drive logic circuitry.	I	3	
	5	GND	Ground	GND	2	
	6	LOGIC PWR	Logic supply input. This input can be used to supply power to the drive logic circuitry only. Effective only when the voltage applied to pin P1-4 is lower then the voltage applied to P1-6.	I	1	

CN4 - Motor Feedback Connector:

CONNECTOR	PIN	NAME	DESCRIPTION	I/O
CN4	1	COS +	Cosine input. Voltage range: 2 – 3.4 VDC. Frequency range: DC – 200kHz	I
	2	COS -		I
	3	SIN +	Cosine input. Voltage range: 2 – 3.4 VDC. Frequency range: DC – 200kHz	I
	4	SIN -		I
	5	SGND	Signal ground	SGND
	6	+Hall A	Commutation sensor inputs. Internal 2K pull-up to +5VDC. Can be used with single ended or differential Hall sensors.	I
	7	-Hall A		I
	8	+Hall B	Commutation sensor inputs. Internal 2K pull-up to +5VDC. Can be used with single ended or differential Hall sensors.	I
	9	-Hall B		I
	10	+5V OUT	+5V @ 250mA max. Short-circuit protected.	O
	11	+Hall C	Commutation sensor inputs. Internal 2K pull-up to +5VDC. Can be used with single ended or differential Hall sensors.	I
	12	-Hall C		I
	13	REF MARK +	Reference mark from sine/cosine encoder	I
	14	NC	Not connected	
	15	REF MARK -	Reference mark from sine/cosine encoder	I

CN3 – I/O Connector:

CONNECTOR	PIN	NAME	DESCRIPTION	I/O
CN3	1	USER OUTPUT 0	Programmable digital output. Isolated, 24VDC, referenced to USER GND	O
	2	USER OUTPUT 1	Programmable digital output. Isolated, 24VDC, referenced to USER GND	O
	3	USER GND	Ground reference for user outputs and inputs.	GND
	4	NODE ALARM	SynqNet network error. Isolated, 24VDC, referenced to USER GND	O
	5	BRAKE	Brake output, controlled directly via SynqNet. Isolated, 24VDC, referenced to USER GND	O
	6	AGND	Analog ground	AGND
	7	+ DIFF. INPUT 0	Differential input. 5V TTL., non-isolated. Programmable function: capture	I
	8	- DIFF. INPUT 0		I
	9	OUTPUT PULL-UP	5K Pull-up for user outputs.	I
	10	NODE DISABLE	Node disable input. Isolated, 24VDC range. Referenced to sensor common (SENSCOMMON).	I
	11	LIMIT +	Positive limit input. Isolated, 24VDC range. Referenced to sensor common (SENSCOMMON).	I
	12	LIMIT -	Negative limit input. Isolated, 24VDC range. Referenced to sensor common (SENSCOMMON).	I
	13	HOME	Home switch input. Isolated, 24VDC range. Referenced to sensor common (SENSCOMMON).	I
	14	USER INPUT 0	Programmable digital input. Isolated, 24VDC, referenced to USER GND	I
	15	USER INPUT 1	Programmable digital input. Isolated, 24VDC, referenced to USER GND	I
	16	SENSCOMMON	Sensor common. Used with E-stop, limit +, limit -, and home inputs. Can be used as a ground reference or as a pull-up for these inputs.	COMMON
	17	+ DIFF. INPUT 1	Differential input. 5V TTL., non-isolated. Programmable function: capture	I
	18	- DIFF. INPUT 1		I
	19	SGND	Digital ground	SGND
	20	+ DIFF. OUTPUT 0	Differential output. 5V TTL., non-isolated. Programmable function: step&dir, divide-by-N	O
	21	- DIFF. OUTPUT 0		O
	22	+ DIFF. OUTPUT 1	Differential output. 5V TTL., non-isolated. Programmable function: step&dir, divide-by-N	O
	23	- DIFF. OUTPUT 1		O
	24	+ANALOG IN	Programmable, differential analog input, +/- 10V range, 14-bit.	I
	25	-ANALOG IN		I
	26	AGND	Analog ground.	AGND

CN1 – SYNQNET™ INTERFACE:

CONNECTOR	PIN	NAME	DESCRIPTION	I/O
CN1	1	RD+	100BaseT receiver	I
	2	RD-		I
	3	TD+	100BaseT transmitter	O
	6	TD-		O
	4, 5, 7, 8	N/C	Not connected	

CN2 – SYNQNET™ INTERFACE:

CONNECTOR	PIN	NAME	DESCRIPTION	I/O
CN2	1	TD+	100BaseT transmitter	O
	2	TD-		O
	3	RD+	100BaseT receiver	I
	6	RD-		I
	4, 5, 7, 8	N/C	Not connected	

ORDERING INFORMATION:

Standard model: DQ111SE20A8BDCX-H

X indicates the current revision letter.

